

CURRENT TRANSFORMERS

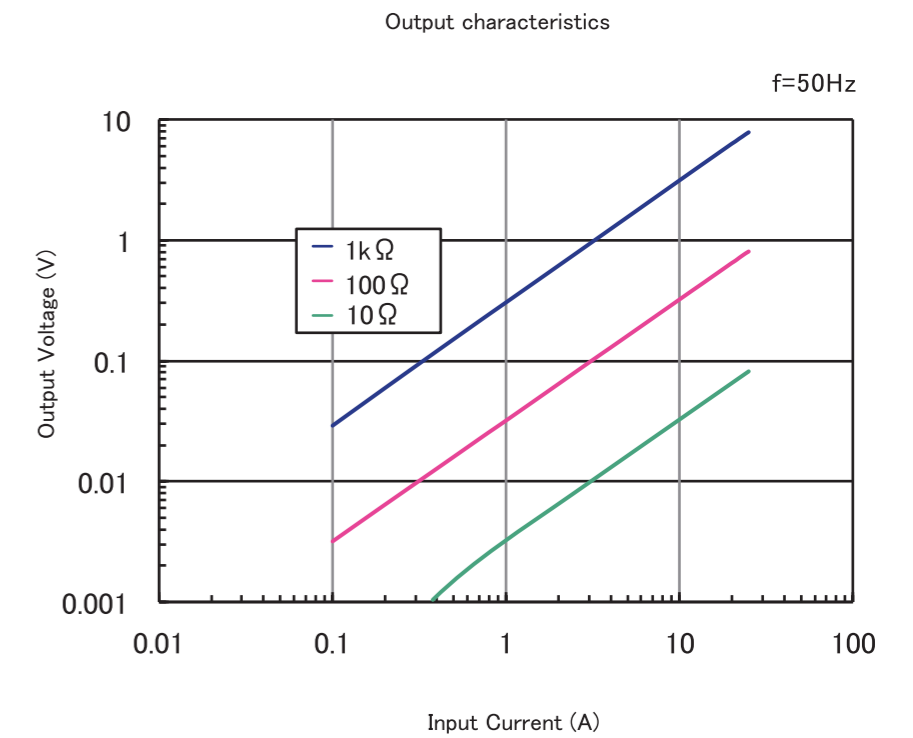
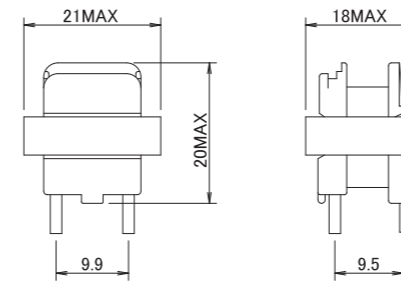
Specifications

TYPE	Input Current	Maximum	Ratio	Core
CT1901RF	0.1~25	35	1:3000	Oriented silicon steel
CT1902RF	0.04~25	35	1:3000	Permalloy
CT1903RF	0.1~15	20	1:200	Ferrite
CT1904RF	0.1~25	35	1:3000	Alloy
CTL	0.01~2	5	1:250	Oriented silicon steel
CTH	0.1~20	30	1:2000	Oriented silicon steel

CT1901RF (Oriented silicon steel)

- Incorporate Non-oriented/oriented silicon steel.
- Suitable for over current protection and current sensing.
- Excellent temperature characteristic.

過電流保護、電流計測に最適
優れた温度特性

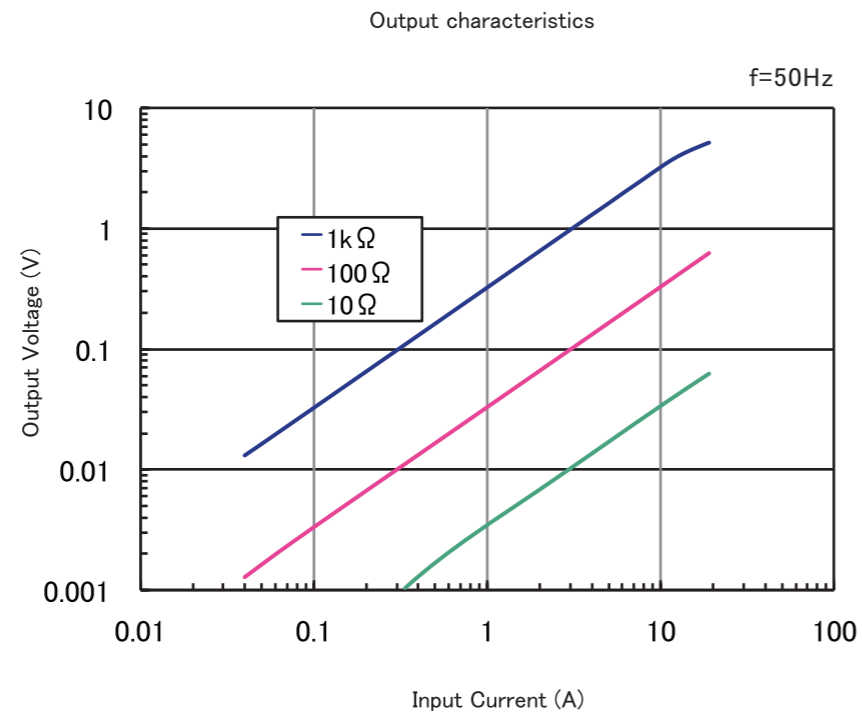
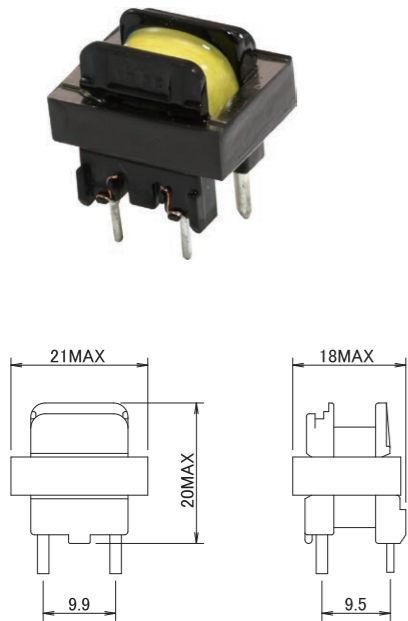


CURRENT TRANSFORMERS

CT1902RF (Permalloy)

- Incorporate permalloy core.
- Possible to measure from a low-current range.

低電流域から測定可能

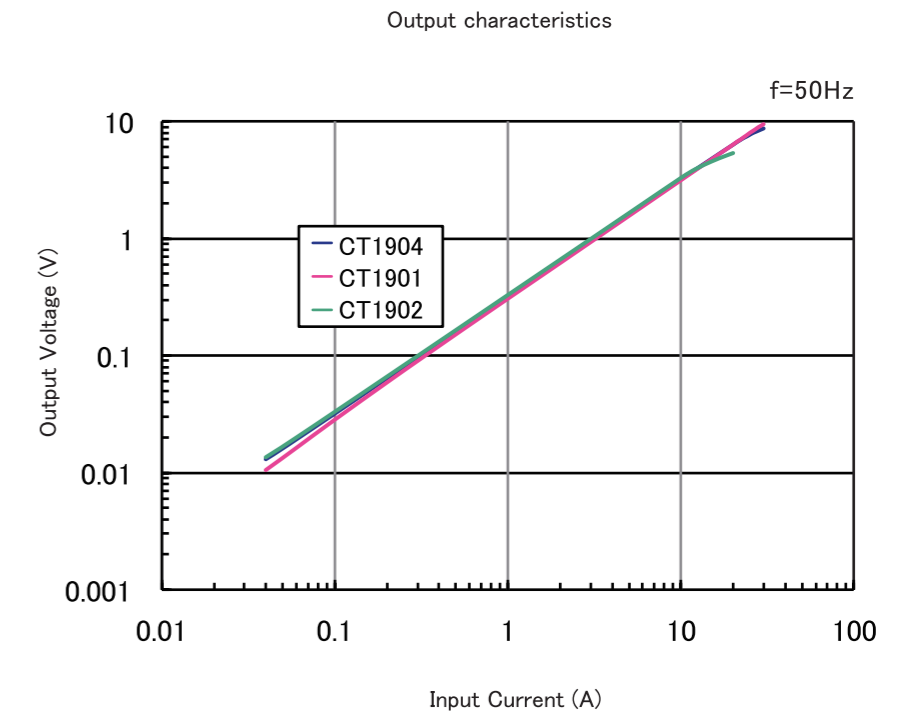
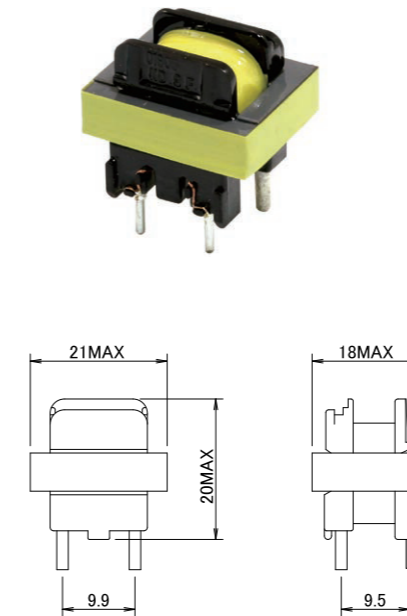


CURRENT TRANSFORMERS

CT1904RF

- Incorporate a composite type of core.
- Adaptable to wide range frequency.

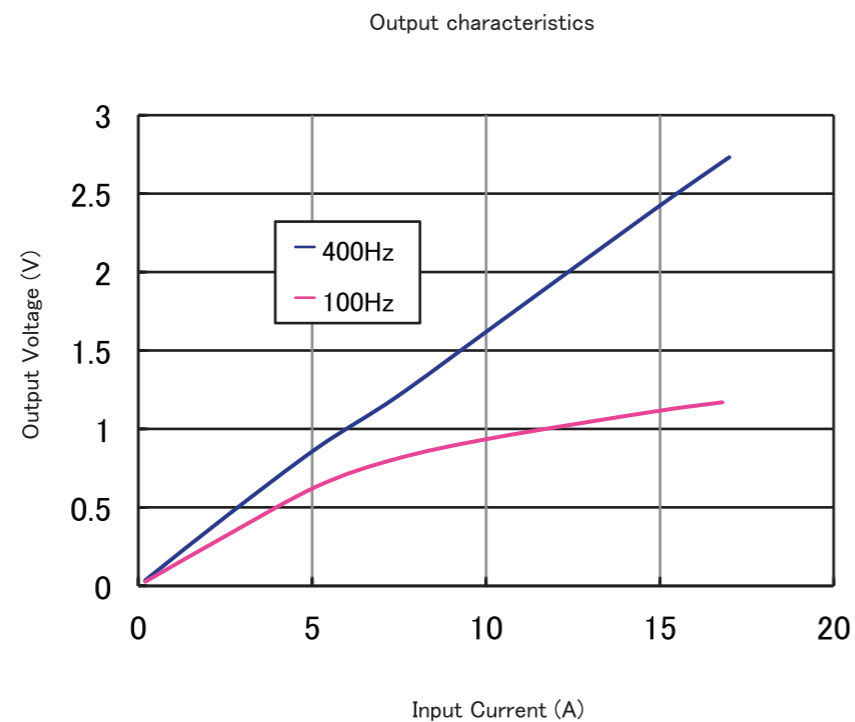
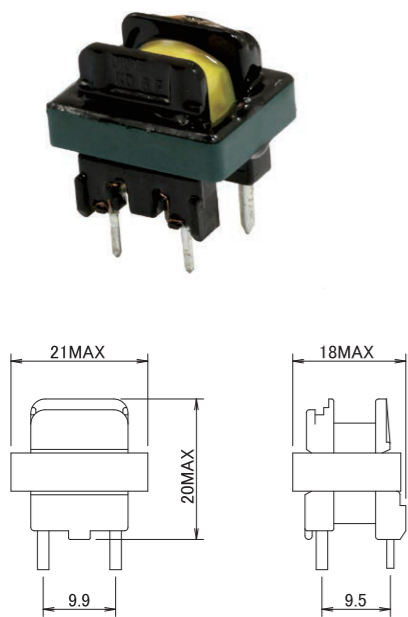
コアを複合タイプにすることにより高帯域に対応



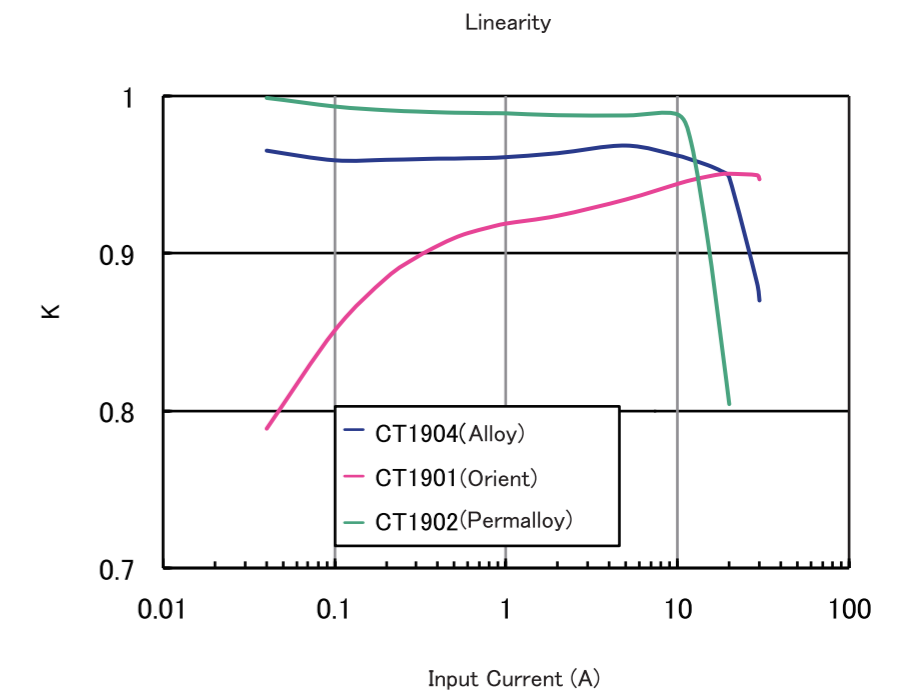
CT1903RF (Ferrite)

- Incorporate ferrite core.
- Possible to measure up to wide range frequency (several hundred kHz).

高帯域周波数（数百kHz）まで測定可能



Specifications are subject to change for improvement without notice.



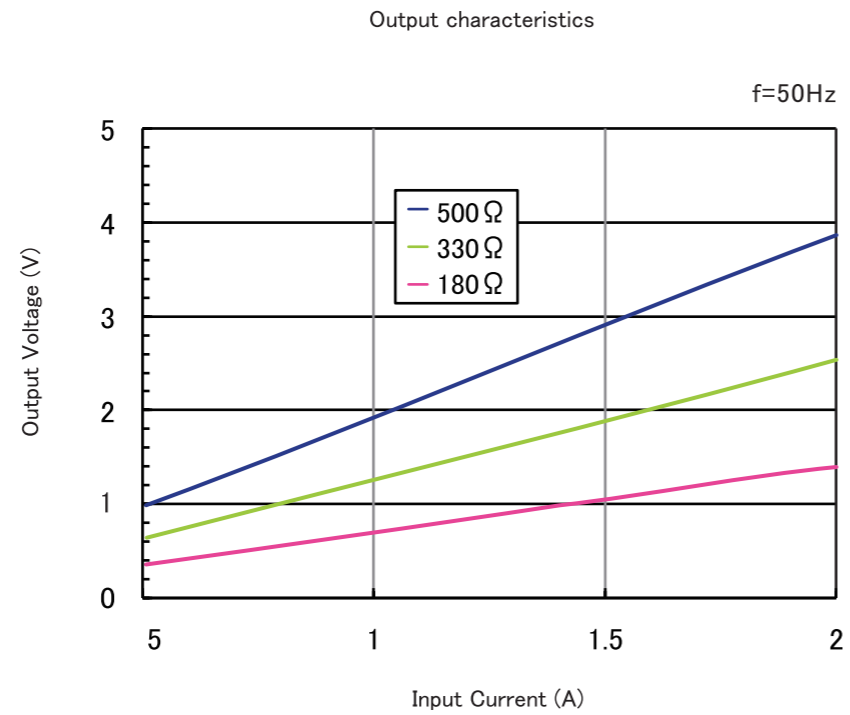
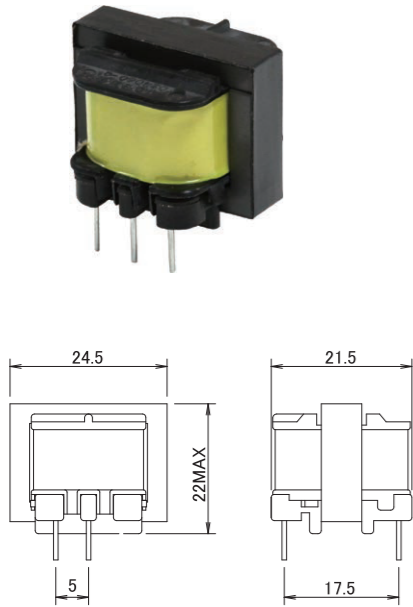
Specifications are subject to change for improvement without notice.

CURRENT TRANSFORMERS

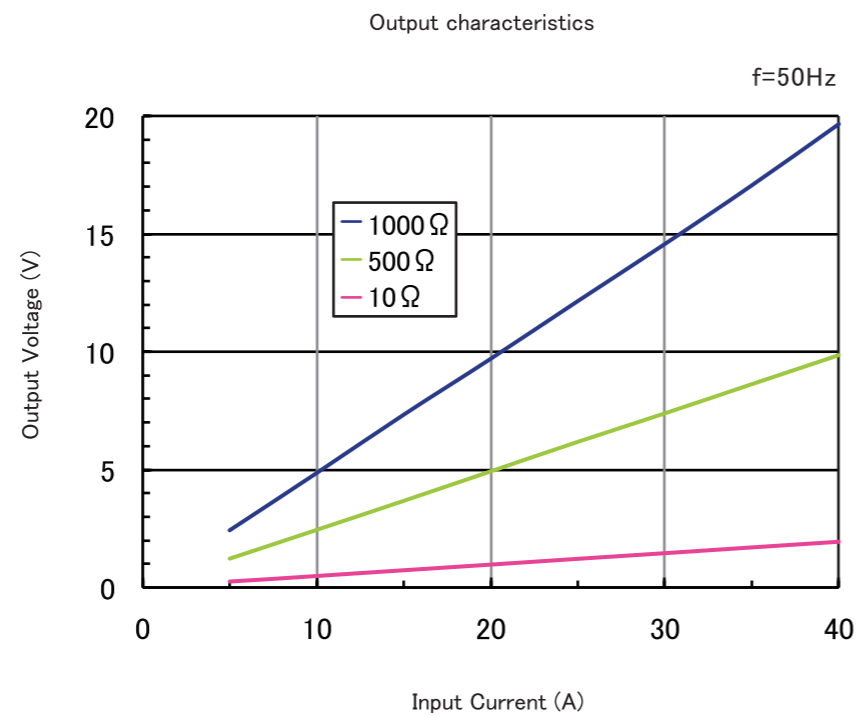
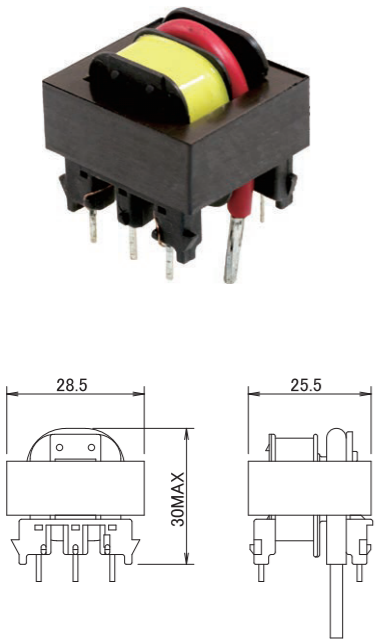
CTL

•Possible to attain high linearity.

高い直線性を実現



CTH



Specifications are subject to change for improvement without notice.

CURRENT TRANSFORMERS

Features

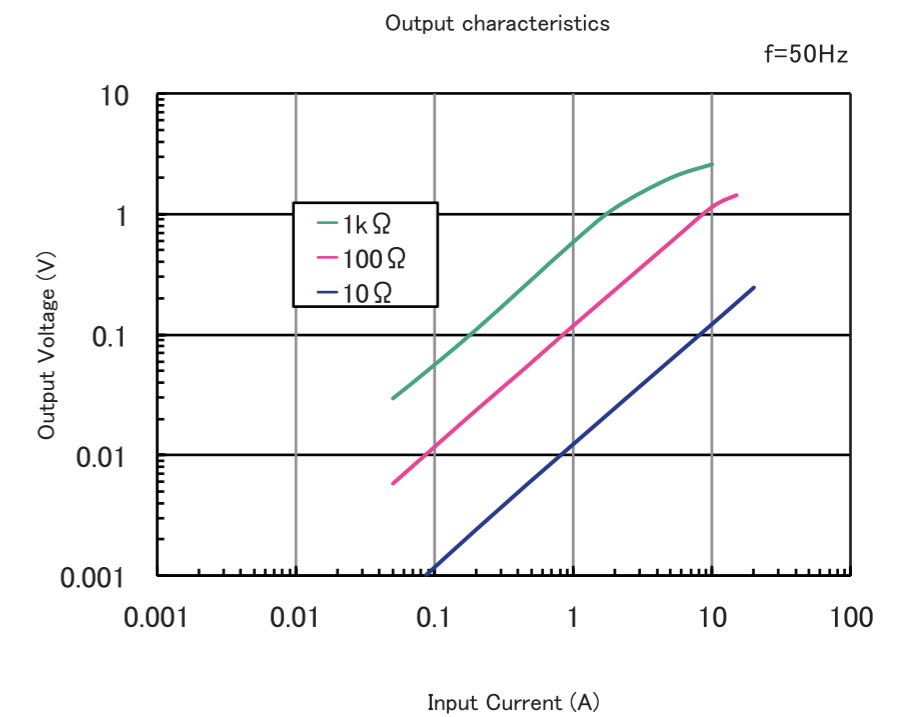
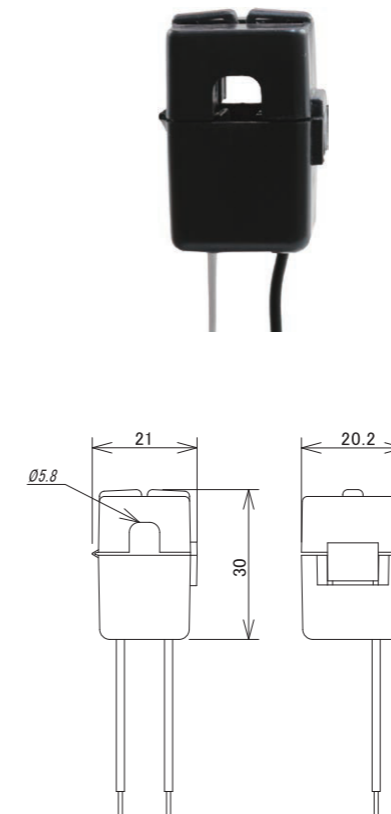
- Opening/closing type which can be clamped without cutting the present wiring.
- Suitable for equipment visualized current.
- Incorporating zener diode in order to prevent from overvoltage.
- Available for customized specification based on current range and linearity you need.
- * Don't open the secondary side of current transformer!! Because of the secondary voltage shoot up.

既設の配線を切断することなく、クランプできる開閉タイプ。電力の見える化などの設備に最適な電流計測用のトランスです。カレントトランスでやってはいけないことは、二次側を開放することです。開放することで電圧が上昇してしまいます。そこで過電圧を阻止するツェナーダイオードを内蔵しております。ご要望の電流範囲、直線性を頂ければカスタマイズします。

Specifications

TYPE	Input Current	Maximum	Ratio
CTD10	0.01~15	20	1:800
CTE80	0.01~80	100	1:3000
CTF120	0.01~120	300	1:3000

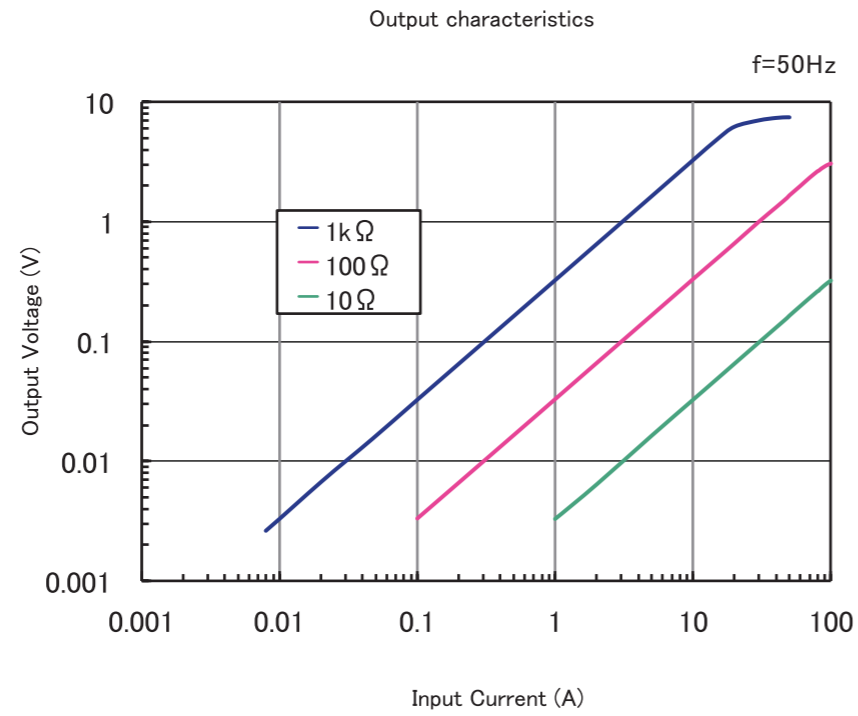
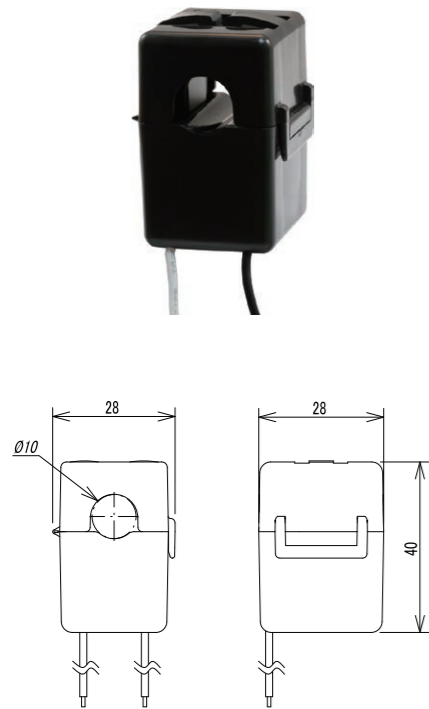
CTD10



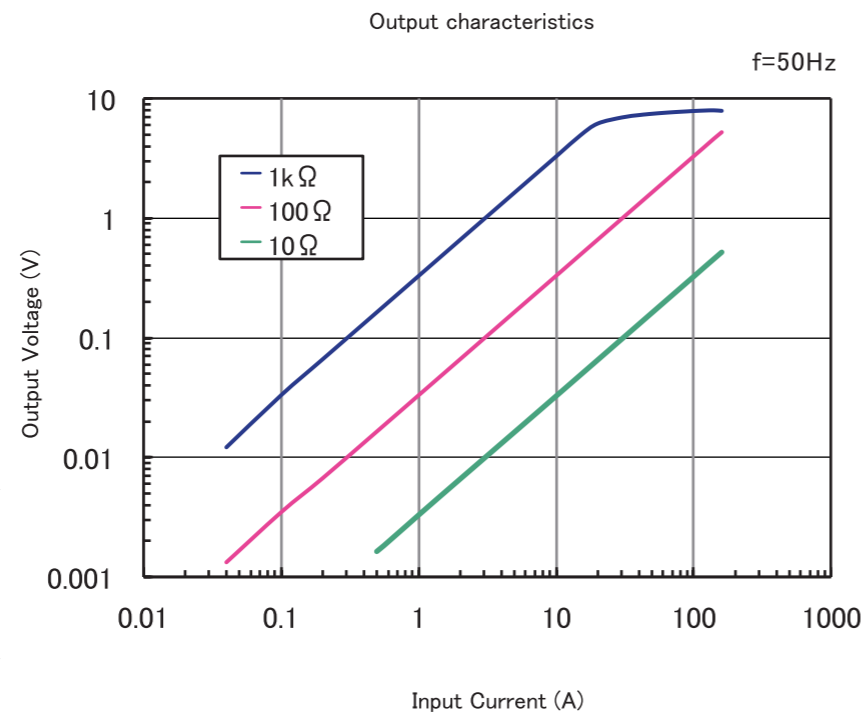
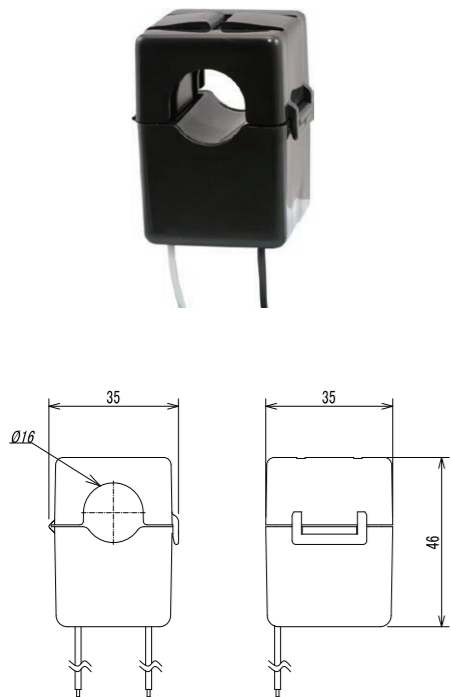
Specifications are subject to change for improvement without notice.

CURRENT TRANSFORMERS

CTE80



CTF120



Specifications are subject to change for improvement without notice.

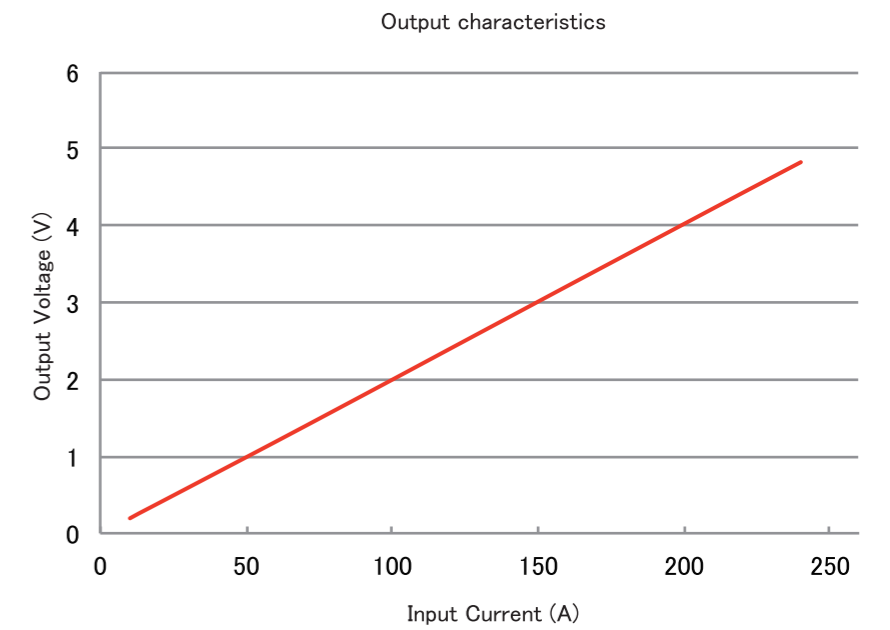
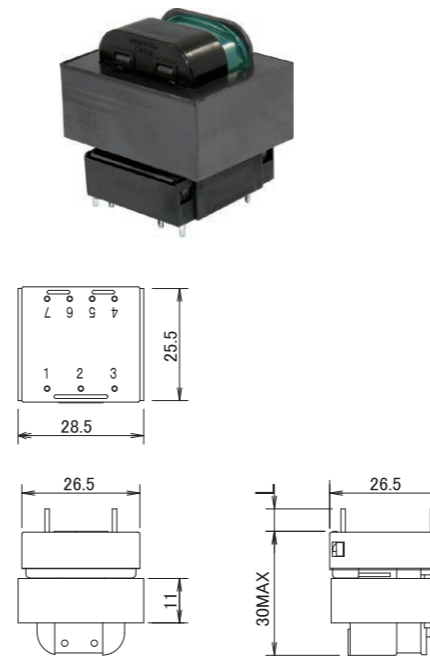
VOLTAGE DETECTING TRANSFORMERS

Features

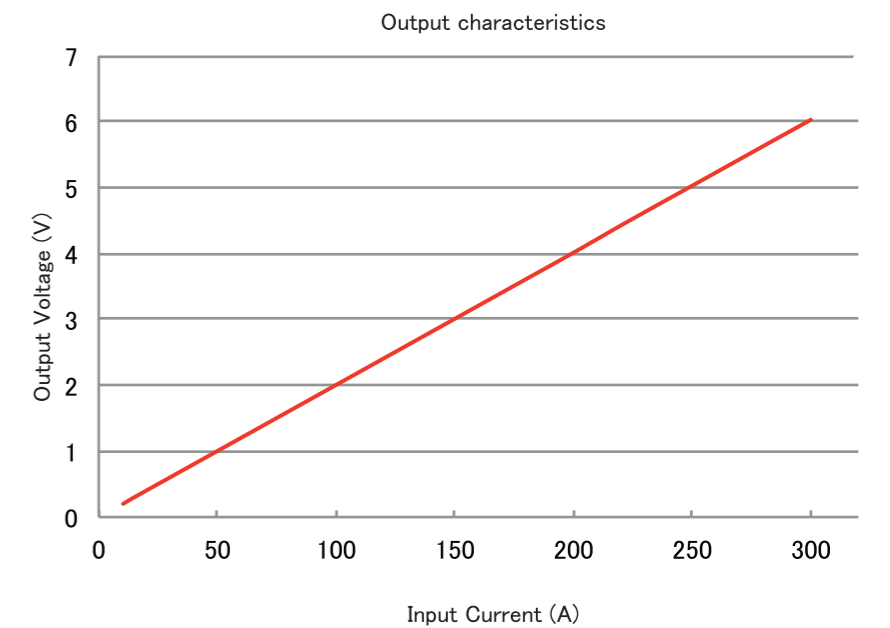
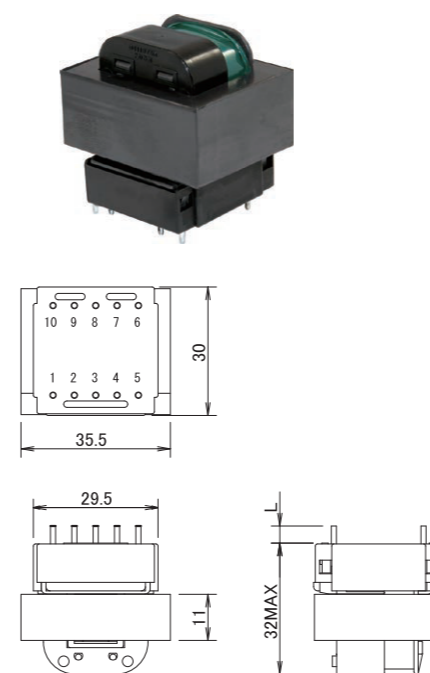
- Specialized transformer for detecting voltage.
- Possible to attain high linearity in wide range of input voltage.

電圧を検出するために特化したトランスです。
高範囲の入力電圧において高精度の直線性を実現しています。

VA2811Z



VA3511Z



Specifications are subject to change for improvement without notice.

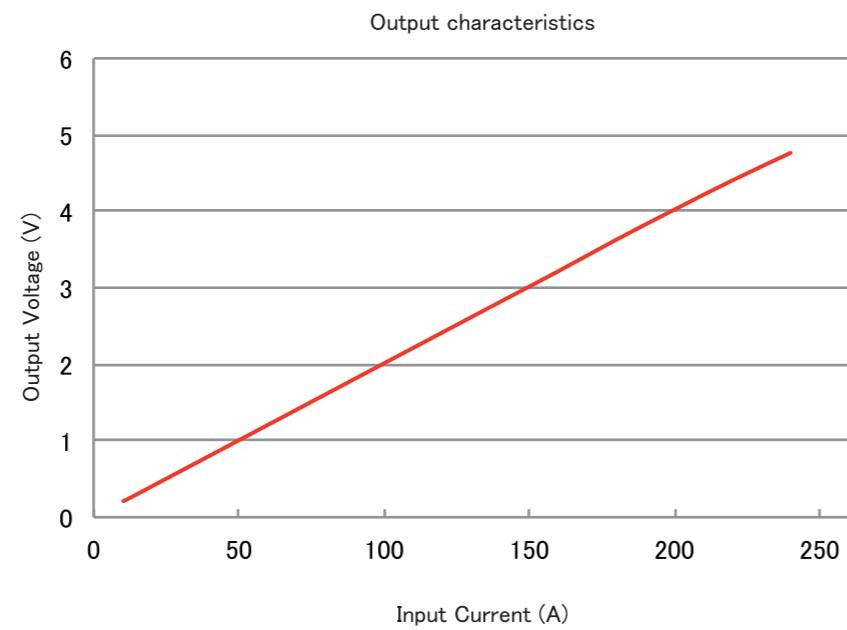
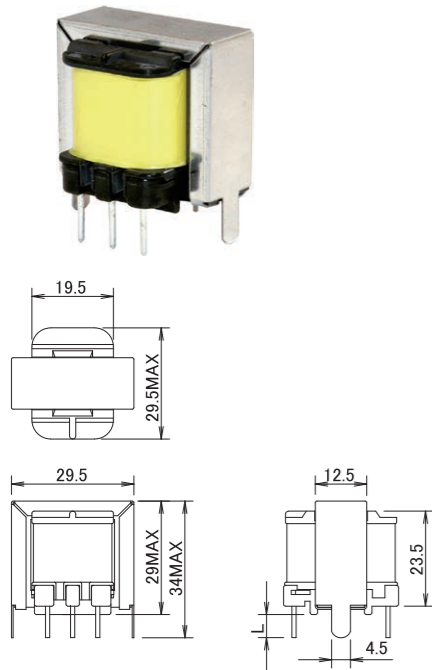
VOLTAGE DETECTING TRANSFORMERS

Features

- Specialized transformer for detecting voltage.
- Possible to attain high linearity in wide range of input voltage.

電圧を検出するために特化したトランスです。
高範囲の入力電圧において高精度の直線性を実現しています。

■ VB2811Z



■ VB3512Z

